

ZBD-LM-450-10000M-PD01



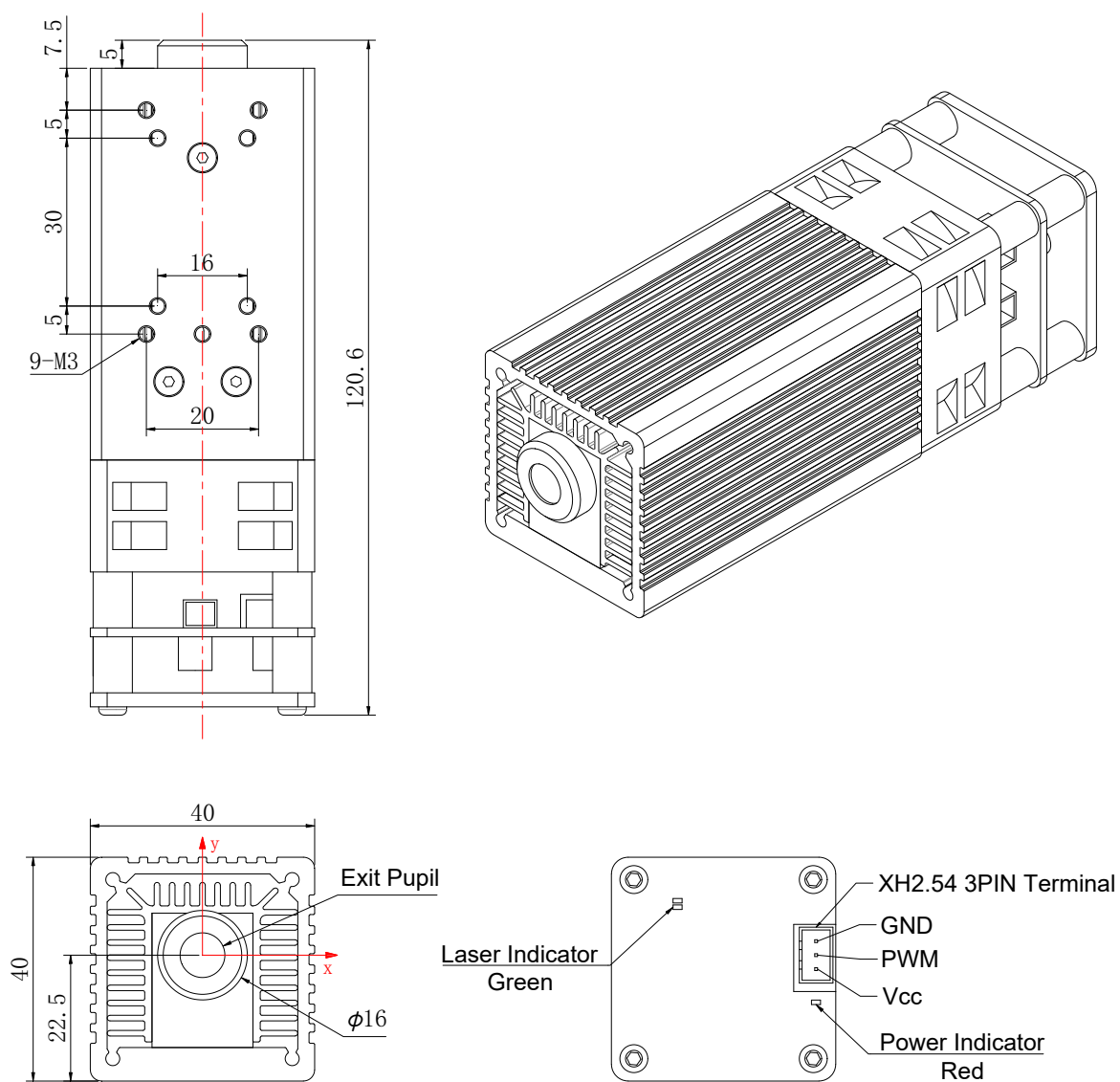
■ Parameters

Wavelength	450±5nm
Optical Power	Min: 9W, Typ: 10W
Divergence angle ($\theta_x \cdot \theta_y$)	1.8×0.9 mrad
Beam size @ output aperture(x · y)	6×4mm
Power Supply	DC 12V 4A
Working Condition	CW
Power Stability	≤5%
Modulation	0-5V PWM, f ≤ 30kHz
Operating Temperature	0~35℃
Storage Temperature	-40~85℃

■ Beam Divergence

Far-Field beam size /mm				Angle/°		milliradian	
Distance L=50M		Distance L=10M		X-axis	Y-axis	X-axis	Y-axis
X-axis	Y-axis	X-axis	Y-axis	X-axis	Y-axis	X-axis	Y-axis
90	45	18	9	0.103	0.052	1.8	0.9

■ Outline Dimensions (unit : mm)



2026年4月2号