

## ZBD-LM-638-1000M-PD01



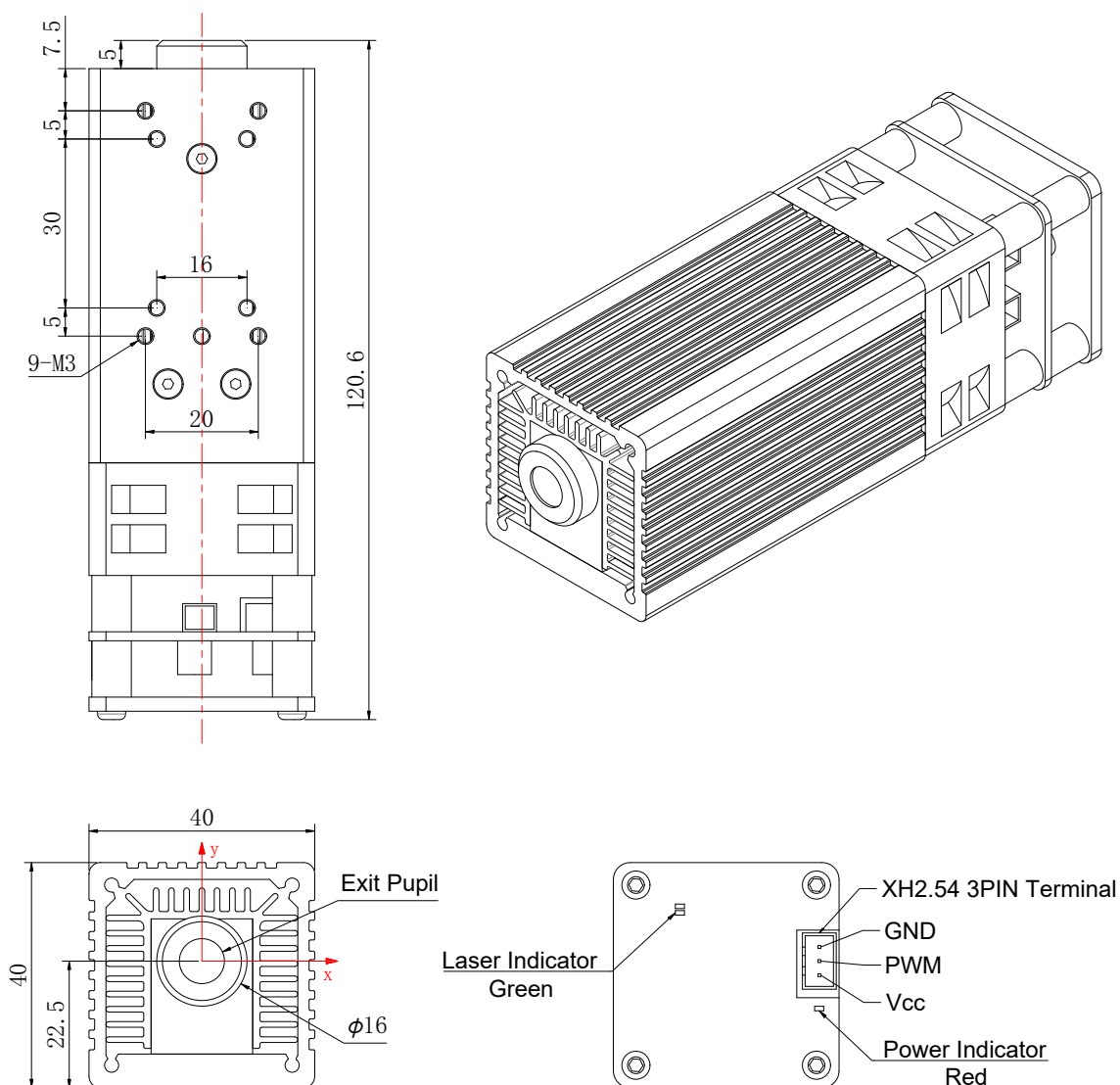
### ■ Parameters

Wavelength	638 ± 5nm
Optical Power	Min:900mW, Typ:1W
Divergence angle ( $\theta_x \cdot \theta_y$ )	1.8 × 0.9 mrad
Exit Beam Spot (x · y)	4.5 × 4mm
Power Supply	DC 12V 4A
Working Condition	CW
Power Stability	≤ 5%
Modulation	0-5V PWM, $f \leq 30$ kHz
Operating Temperature	0~30 °C
Storage Temperature	-40~85 °C

## ■ Beam Divergence

Far-Field spot/mm				Angle/°		Milliradians/Mrad	
Distance L=50M		Distance L=10M					
X-axis	Y-axis	X-axis	Y-axis	X-axis	Y-axis	X-axis	Y-axis
90	45	18	9	0.103	0.052	1.8	0.9

## ■ Outline Dimensions (unit : mm)



2026年4月2号